



## Amp-Check

Two-Port Current Check Module

### Overview

Amp-Check is a two-port current check module. This module can sense the presence of AC/DC current up to 5A and send the status to Netsense box through a data port. High voltage is internally isolated from data line to ensure safety and zero interference. Internal fuses are used for short circuit protection.

By using this module with Netsense box, the status of current in a circuit can be monitored and stored in our server. Moreover, alert notification can be set in web based application on [www.mmnetcenter.com](http://www.mmnetcenter.com).

Using this module with Netsense box is easy. No software configuration is required. Just plug and play. AC/DC mode is configured by a jumper inside the module.

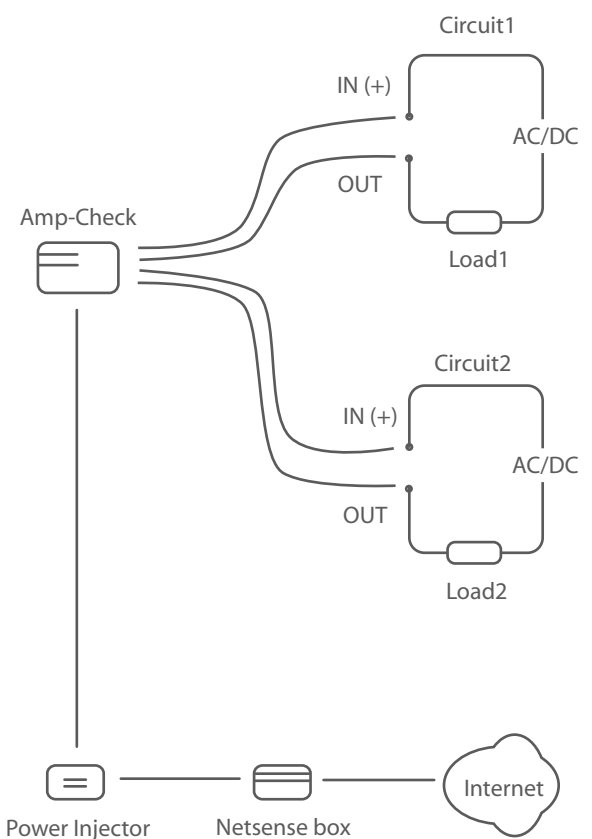
To power up the Amp-Check module, please check out Power Injector Module.

#### Applications

- Heating cable monitoring
- Close/Open circuit monitoring

### Features

- Two ports of current check
- Support both DC and AC
- Easy AC/DC mode configuration by internal jumper
- High voltage isolation
- Internal fuses for short circuit protection
- Plug and play with Netsense box
- No software configuration
- Utilizing web base application on [www.mmnetcenter.com](http://www.mmnetcenter.com) to monitor, log, and alert



### Specifications

- Ports: Current check x 2, Data x 1
- Max Amp: 5 A / port
- Dimension: 8.5 x 6 x 2.5 cm

### Contact

Email: [contact@mmnetcenter.com](mailto:contact@mmnetcenter.com)  
 Tel: +66 2930 2930  
[www.mmnetcenter.com](http://www.mmnetcenter.com)